



Features

300 nits brightness, 1280X1024 resolution.
Optional for resistive or capacitive touch.

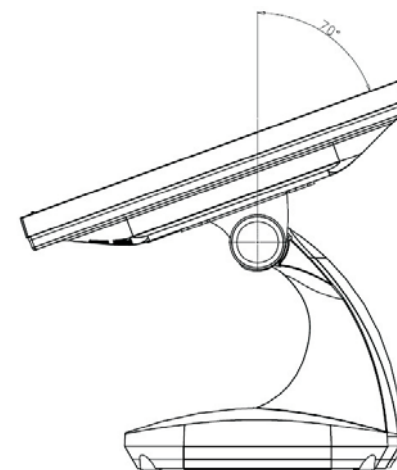
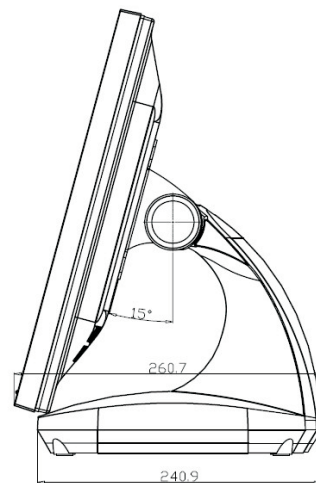
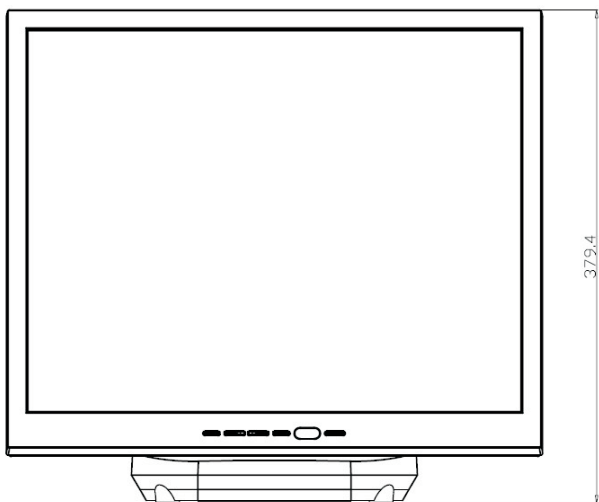
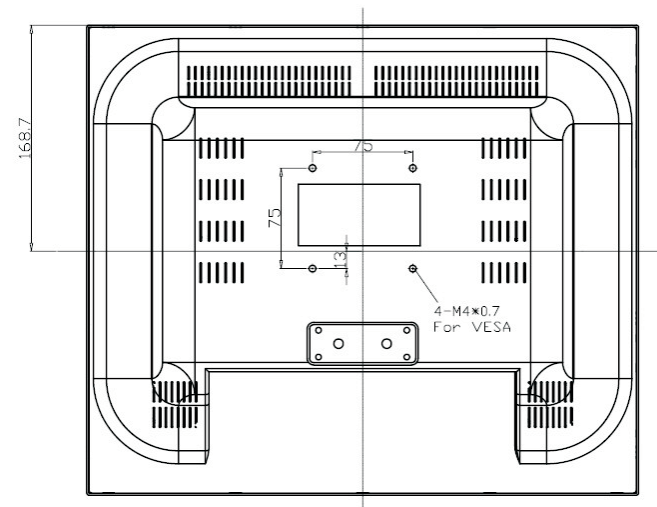
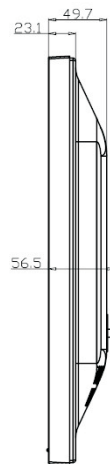
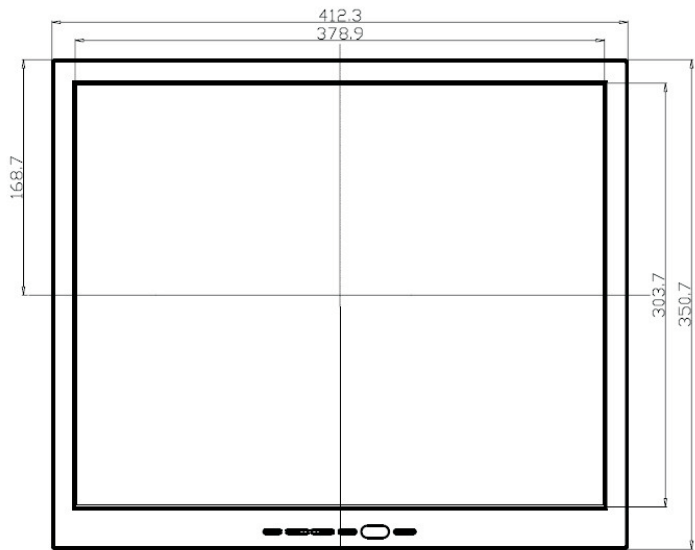
Mouse and keyboard free, your fingers directly, easy to use for POS display, information board, industrial field, medical and transportation.

The stable removable base is engineered for the physical demands of touch screen use. The sturdy design helps foster intuitive operator entry and flexibility with a variety of applications to help reduce training time and costs and operational errors and help increase employee productivity and customer satisfaction.

Panel	Cell Type / Glass Surface		TFT LCD / Black Anti-Glare, low reflection coating
	Aspect Ratio / Size		4:3 / 19" viewable diagonal area
	Active Area / Pixel Pitch		376.3((H)x 301.1(V))mm / 0.294(H)x0.294(V)mm
	Native Resolution / Colors		1280(H)x1024(V) / 16.7 Million
	Brightness / Contrast		300 cd/m ² (typ) / 800:1
	Response Time		≤5ms
	Viewing Angle		H.160°(-80°~+80°), V.160°(-80°~+80°)
	Light Source		CCFL, Long life, 50,000 hrs(typ)
Input Sources	PC System	Signal	Analog RGB (0.7/1.0 V _{p-p} , 75 ohms)
		Sync	Composite Sync, Separate Sync, Sync On Green
		Frequency	F _h : 30 - 82Khz , F _v : 50 - 75Hz
	Audio System		2W Speaker X 2
Input Terminals	1 X VGA (15pin Female D-sub), 1 X PC Audio (Stereo Headphone Jack), 1 X DC Power Plug)		
Convenient Feature	Auto Calibration · Back Light Adjustment · Plug & Play (VESA DDC/CI, DDC 2B)		
	OSD Multi-Languages · Wall Mount Ready (VESA 75x 75mm)		
Power	External AC to 12VDC power adapter with universal / Auto sensing, AC 90 to 260V, 50/ 60 Hz		
Power Consumption	Operation / Power Saving	32 watt, < 2 watt (Support DPMS)	
Operating Condition	Temperature / Humidity	0°C ~ 50°C (32°F ~ 122°F), 10% ~ 90% (no condensation)	
Storage Condition	Temperature / Humidity	- 20°C ~ 60°C (- 4°F ~ 140°F), 10% ~ 90% (no condensation)	
Certification	FCC , CE		
Dimensions	Physical		With Base : (W x H x D) : 412.3 X 345.4 X 209.7mm
			Without Base : (W x H x D) 412.3 x 350.7 x 49.7 mm
	Carton		(W x H x D) 470 x 445 x 142 mm
Weight	N.W. / G.W.	6.0 Kg / 7.0 Kgs	
Container Loaded	20ft / 40ft / 40ft HQ	816 / 1632 / NA (Sets, By Pallet)	

Options

Touch Panel	Transparency	Linearity	Durability
Resistive touch	2048x2048	80%+/-3%	35 Million Times
Capacitive touch	2048x2048	80%+/-3%	200 Million Times



元祺科技股份有限公司
3G TECHNOLOGY INC.

Model no:3G-190QL

DRAWING: QUEEN

UNIT: mm

