



Features

The best communication interface, user friendly controls allow you to operate your monitor easily so you can devote your full attention to the fabulous images on screen.

Mouse and keyboard free, your fingers directly, easy to use for POS display, information board, industrial field, medical and transportation.

VGA connector with optional AV,SV,AV-Looping.

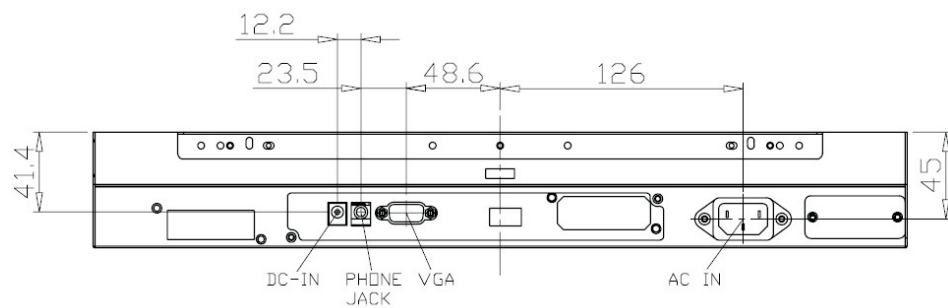
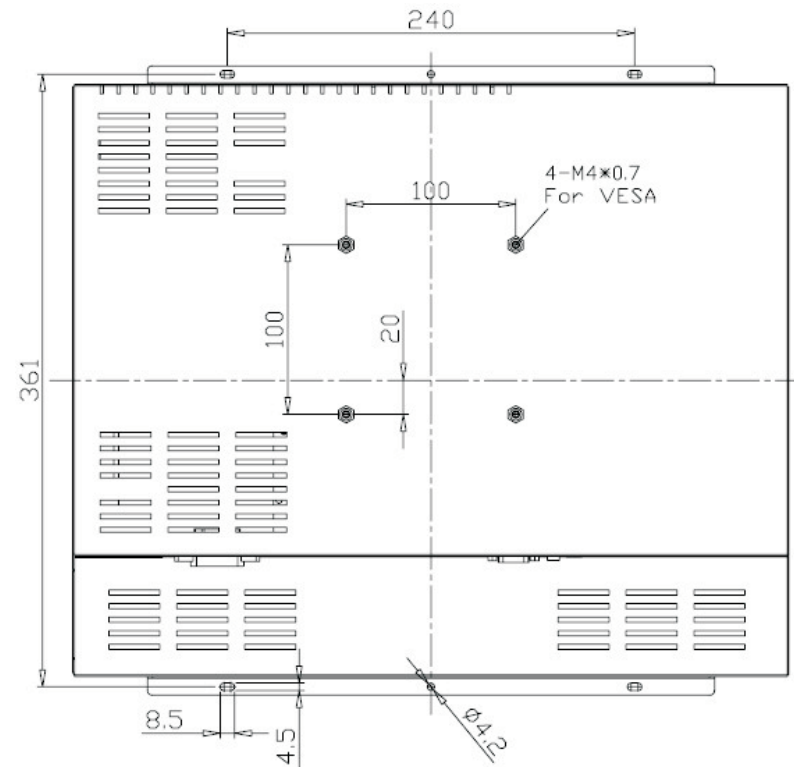
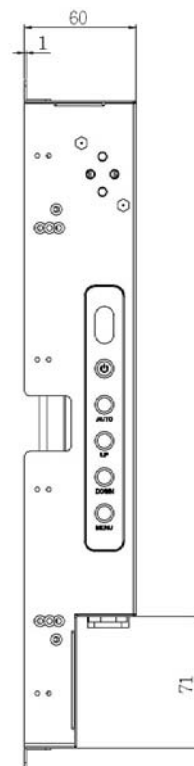
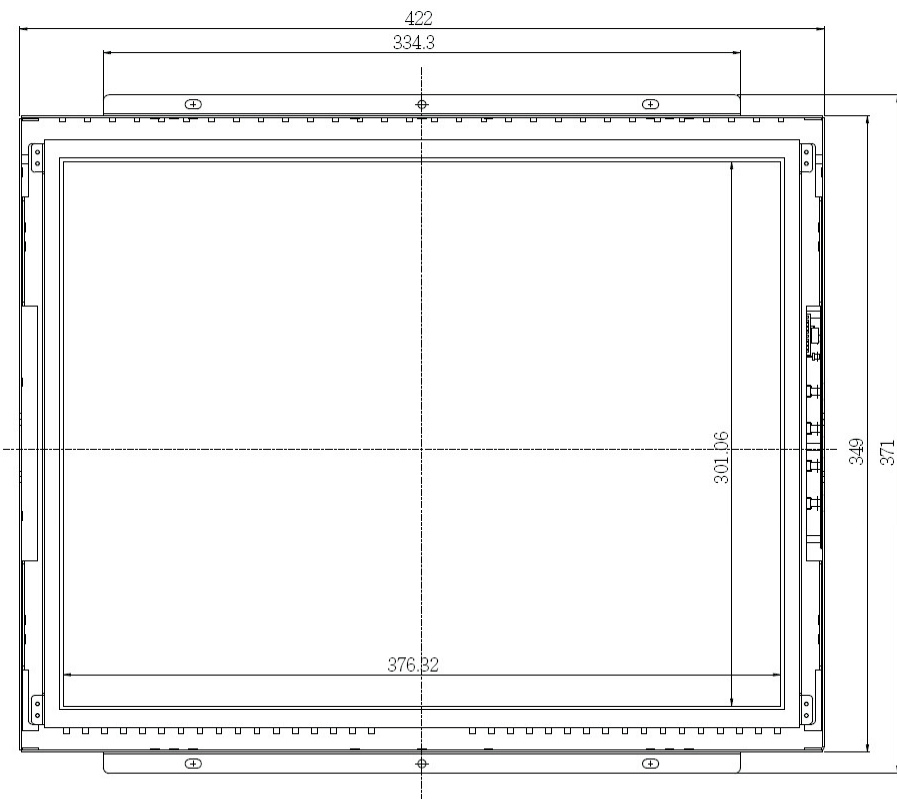
Available with auto-brightness sensor offers application in 24 hours.



Panel	Cell Type / Glass Surface		TFT LCD / Black Anti-Glare, low reflection coating
	Aspect Ratio / Size		5:4 / 19" viewable diagonal area
	Active Area / Pixel Pitch		376.3(H)x 301.1(V)mm / 0.294(H)x0.294(V)mm
	Native Resolution / Colors		1280(H)x1024(V)/ 16.7 Million
	Brightness / Contrast		250 cd/m ² (typ) / 800:1
	Response Time		≤5ms
	Viewing Angle		H.160°(-85°~+85°), V.160°(-80°~+80°)
	Light Source		LED backlight ,long life, 35,000 hrs(typ)
Input Sources	PC System	Signal	Analog RGB (0.7/1.0 V _{p-p} , 75 ohms)
		Sync	Composite Sync, Separate Sync, Sync On Green
		Frequency	F _h : 30 - 82Khz , F _v : 50 -75Hz
	Audio System	2W Speaker X 2	
Input Terminals	1 X VGA (15pin Female D-sub), 1 X PC Audio (Stereo Headphone Jack), 1 X DC Power Plug)		
Convenient Feature	Auto Calibration · Back Light Adjustment · Plug & Play (VESA DDC/CI,DDC 2B)		
	OSD Multi-Languages · Wall Mount Ready (VESA 100x 100mm)		
Power	External AC to 12VDC power adapter with universal / Auto sensing, AC 90 to 260V, 50/ 60 Hz		
Power Consumption	Operation / Power Saving	32 watt, <2 watt (Support DPMS)	
Operating Condition	Temperature / Humidity	0°C ~ 50°C (32°F ~ 122°F), 10% ~ 90% (no condensation)	
Storage Condition	Temperature / Humidity	- 20°C ~ 60°C (- 4°F ~ 140°F),10% ~ 90% (no condensation)	
Certification	FCC , CE		
Dimensions	Physical	With Flanges:W422 x H361(Screw center-to-center) x D60mm	
		Without Flanges(W x H x D) 422.0 x 349.0 x 60.0 mm	
	Carton	(W x H x D) 470 x 445 x 142 mm	
Weight	N.W. / G.W.	6.0 Kg / 7.0 Kgs	
Container Loaded	20ft / 40ft / 40ft HQ	816/1632/NA(Sets, By pallet)	

Options

Touch Panel	Video / TV	Enhanced Panel	Others
Resistive touch	SV + AV	Panel with LED backlight	Digital Signage (stand alone)
Capacitive touch	SV + AV + AV Looping	High brightness panel	Networking Digital Singnage
SAW touch	SV + AV + TV	Wide Temperature	Motion Sensor
Infrared touch		Sunlight Readable	Light sensor
Protected Glass			Auto-Dimming



元祺科技股份有限公司
3G TECHNOLOGY INC.

Model no: 3G-OF190Q/3G-OFW190Q

DRAWING: QUEEN

UNIT: mm