

# 3G-OF320Q (FHD)

# Specification



## Features

1920 x 1080 Native resolution, 450 cd/m<sup>2</sup> brightness, 178° horizontal/vertical viewing angles

Modularize mechanical design provides flexible product configuration and easy maintenance

Optional build-in touch screen for interactive application

Optional build-in PC eliminates external box

Panel	Cell Type / Glass Surface	TFT LCD / Black Anti-Glare, low reflection coating	
	Aspect Ratio / Size	Wide / 32" viewable diagonal area	
	Active Area / Pixel Pitch	698.4(H) x 392.9(V) mm / 0.3638(H) x 0.3638(V) mm	
	Native Resolution / Colors	1920(H) x 1080(V) / 16.7 Million	
	Brightness / Contrast	450 cd/m <sup>2</sup> (typ) / 2500:1	
	Response Time	≤6ms (G-to-G)	
	Viewing Angle	H.178°(-89°~+89°), V.178°(-89°~+89°)	
	Light Source	CCFL, Long life, 50,000 hrs(typ)	
Input Sources	PC System	Signal	Analog RGB (0.7/1.0 V <sub>p-p</sub> , 75 ohms)
		Sync	Separate Sync, Composite Sync, Sync On Green
		Frequency	F <sub>h</sub> : 30 - 82Khz , F <sub>v</sub> : 50 -75Hz
	Audio System	3W Amplifier	
Input Terminals	1 x VGA (15 Pin Female D-Sub) , 1 x PC Audio (Stereo Headphone Jack) , 1 x AC Inlet		
Convenient Feature	Auto Calibration, Back Light Adjustment, Plug & Play (VESA DDC/CI,DDC 2B)		
	OSD Multi-Languages, Wall Mount Ready ( VESA 400x 200mm )		
Power	Internal power supply with universal / Auto-Sensing, AC 90 to 260V, 50 / 60 Hz		
Power Consumption	Operation / Power Saving	145 watt, <5 watt (Support DPMS)	
Operating Condition	Temperature / Humidity	0°C ~ 50°C (32°F ~ 122°F) , 10% ~ 90% (no condensation)	
Storage Condition	Temperature / Humidity	- 20°C ~ 60°C (- 4°F ~ 140°F),10% ~ 90% (no condensation)	
Certification	FCC , CE		
Dimensions	Physical	with Flanges(W x H x D) :	
		780.0 x 492.0(Screw center-to-center) x 92.0 (mm)	
	Carton	Without Flanges(W x H x D) : 780.0 x 472.0 x 92.0 (mm)	
Weight	N.W. / G.W.	14.5 Kgs / 16.0 Kgs	
Container Loaded	20ft / 40ft / 40ft HQ	TBD (Sets, By pallet)	

## Options

Touch Panel	Video / TV	Enhanced Panel	Others
Capacitive touch	SV + AV + AV Looping	High brightness panel	Networking Digital Singnage
SAW touch	SV + AV + TV	Wide Temperature	Motion Sensor
Infrared touch		Sunlight Readable	Light sensor
Protected Glass			Auto-Dimming

元祺科技股份有限公司

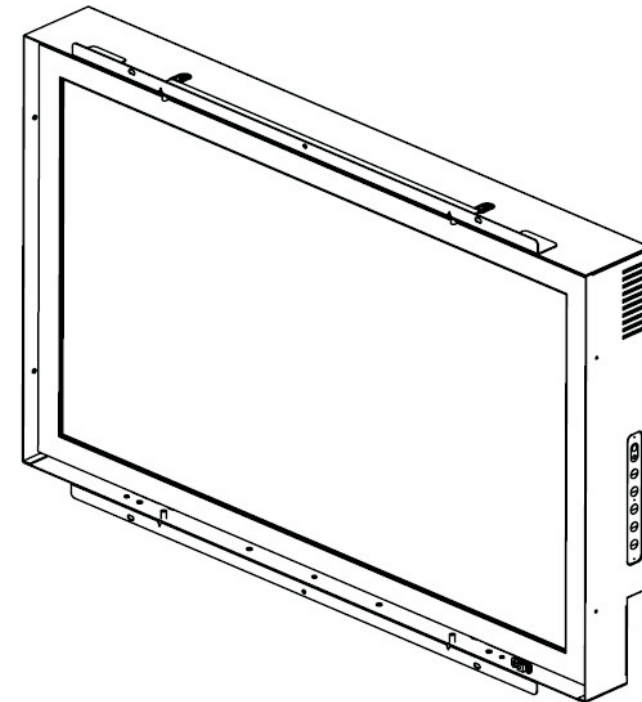
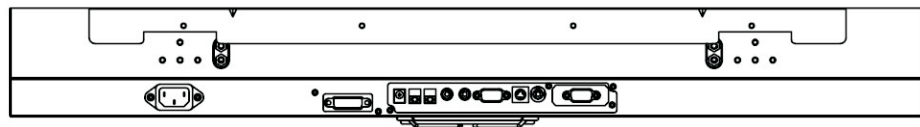
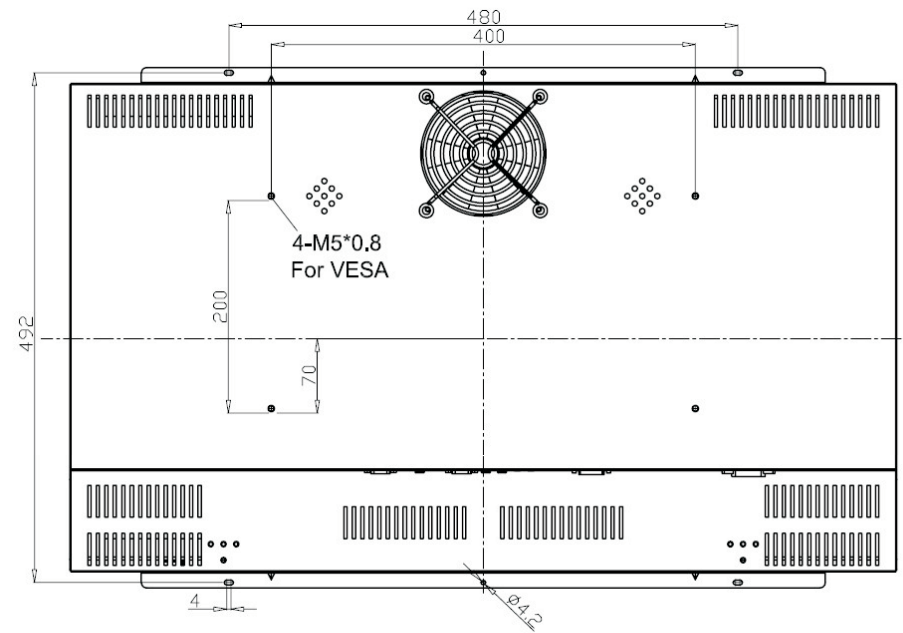
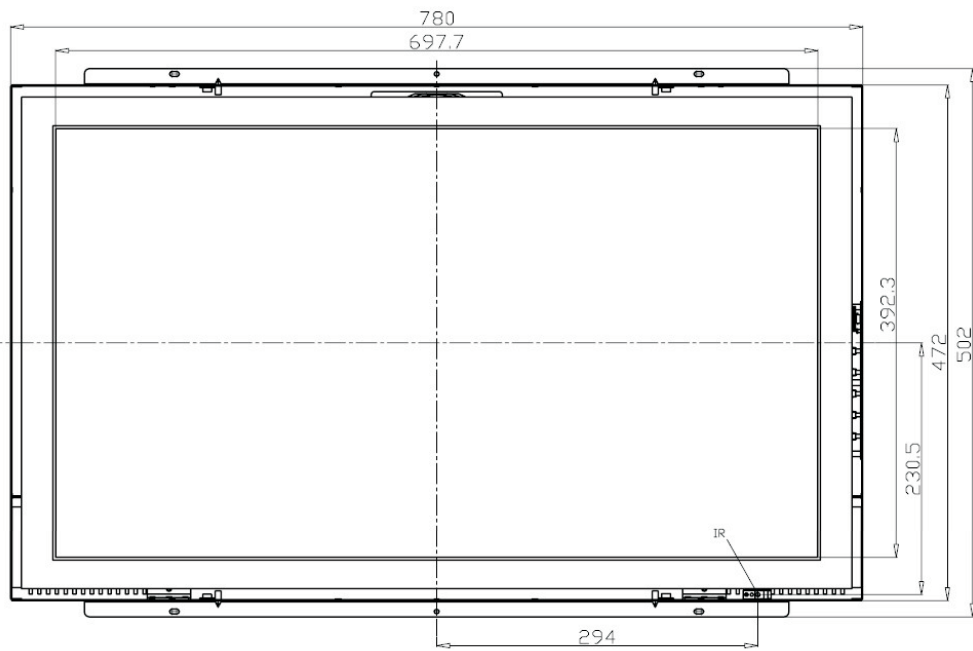
3G Technology Inc.

新北市蘆洲區光復路99巷5號1樓

1F., No.5, Ln. 99, Guangfu Rd., Luzhou Dist., New Taipei City 24755, Taiwan

Tel: +886 2 2847 4730 Fax:+ 886 2 2847 2011

[www.3gi.com.tw](http://www.3gi.com.tw)



元祺科技股份有限公司  
3G TECHNOLOGY INC.

Model no:3G-OF320Q

DRAWING: QUEEN UNIT: mm