



Features

Modularize mechanical design provides flexible product configuration and easy maintenance

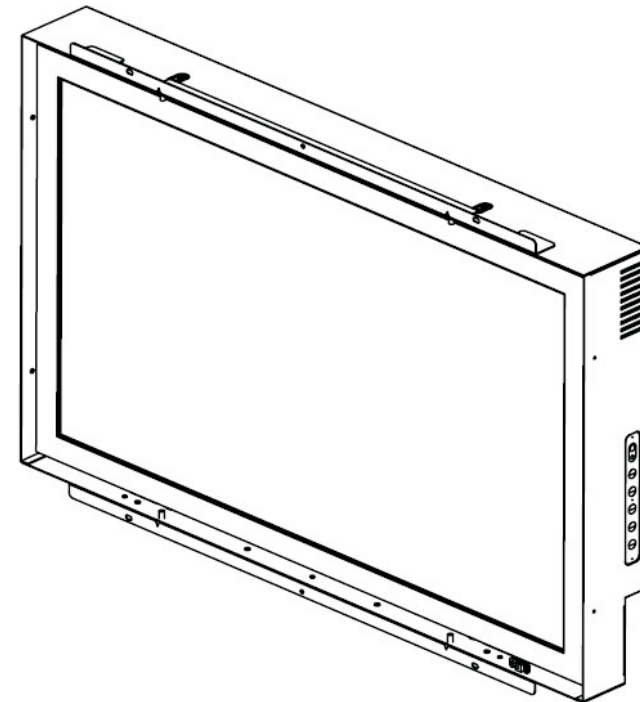
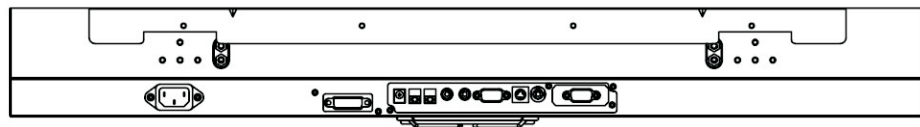
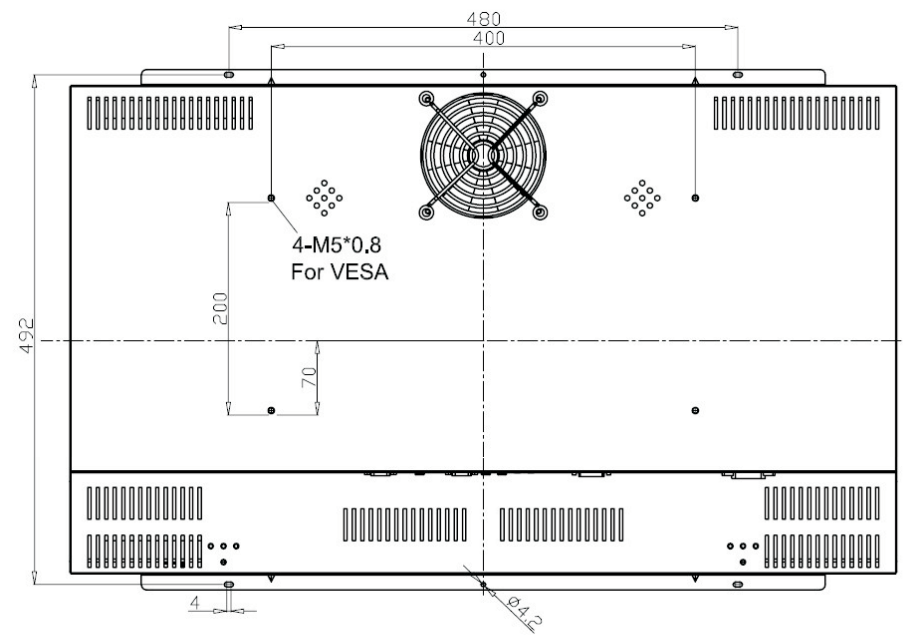
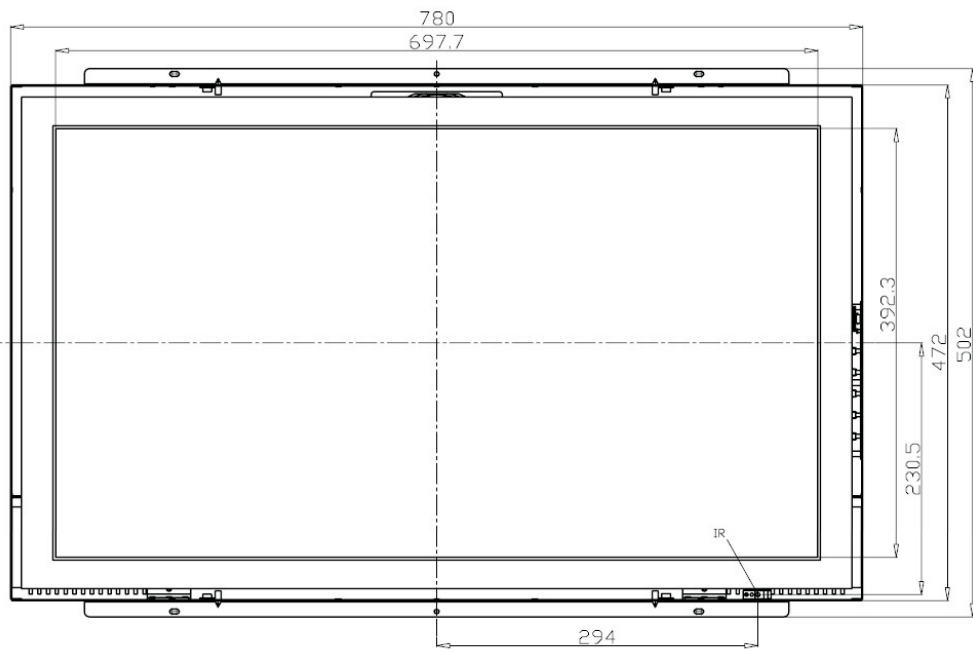
Optional panel with ultra high brightness and super dynamic contrast, along option with auto-brightness sensor offers application in day and night

Optional build-in PC eliminates need for separate media player to run content

Panel	Cell Type / Glass Surface		TFT LCD / Black Anti-Glare, low reflection coating
	Aspect Ratio / Size		Wide / 32" viewable diagonal area
	Active Area / Pixel Pitch		697.69(H) x 392.26(V) mm / 0.51(H) x 0.51(V) mm
	Native Resolution / Colors		1366(H) x 768(V) / 16.7 Million
	Brightness / Contrast		450 cd/m ² (typ) / 2000:1
	Response Time		≤6ms (G-to-G)
	Viewing Angle		H.178°(-89°~+89°), V.178°(-89°~+89°)
	Light Source		CCFL, Long life, 50,000 hrs(typ)
Input Sources	PC System	Signal	Analog RGB (0.7/1.0 V _{p-p} , 75 ohms)
		Sync	Separate Sync, Composite Sync, Sync On Green
		Frequency	F _h : 30 - 82Khz , F _v : 50 -75Hz
	Audio System	3W Amplifier	
Input Terminals	1 x VGA (15 Pin Female D-Sub) , 1 x PC Audio (Stereo Headphone Jack) , 1 x AC Inlet		
Convenient Feature	Auto Calibration, Back Light Adjustment, Plug & Play (VESA DDC/CI,DDC 2B)		
	OSD Multi-Languages, Wall Mount Ready (VESA 400x 200mm)		
Power	Internal power supply with universal / Auto-Sensing, AC 90 to 260V, 50 / 60 Hz		
Power Consumption	Operation / Power Saving	130 watt, <5 watt (Support DPMS)	
Operating Condition	Temperature / Humidity	0°C ~ 50°C (32°F ~ 122°F) , 10% ~ 90% (no condensation)	
Storage Condition	Temperature / Humidity	- 20°C ~ 60°C (- 4°F ~ 140°F),10% ~ 90% (no condensation)	
Certification	FCC , CE		
Dimensions	Physical	with Flanges(W x H x D) :	
		780.0 x 492.0(Screw center-to-center) x 92.0 (mm)	
	Carton	Without Flanges(W x H x D) : 780.0 x 472.0 x 92.0 (mm)	
Weight	N.W. / G.W.	14.5 Kgs / 16.0 Kgs	
Container Loaded	20ft / 40ft / 40ft HQ	TBD (Sets, By pallet)	

Options

Touch Panel	Video / TV	Enhanced Panel	Others
Capacitive touch	SV + AV + AV Looping	High brightness panel	Networking Digital Singnage
SAW touch	SV + AV + TV	Wide Temperature	Motion Sensor
Infrared touch		Sunlight Readable	Light sensor
Protected Glass			Auto-Dimming



元祺科技股份有限公司
3G TECHNOLOGY INC.

Model no:3G-OF320Q

DRAWING: QUEEN UNIT: mm